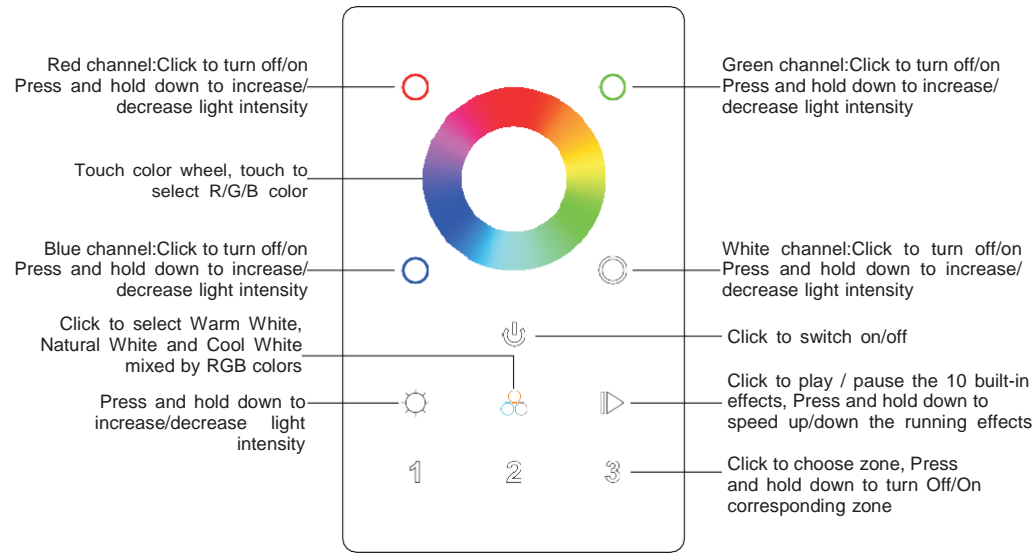


RGBW DMX512+WiFi Controller

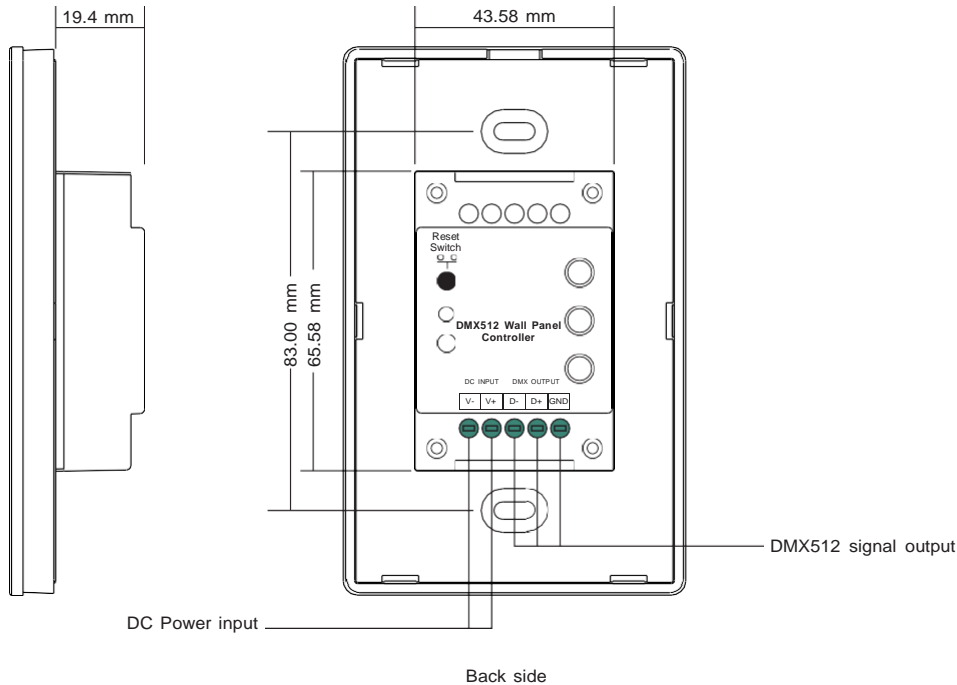


Important: Read All Instructions Prior to Installation

Function introduction



Front side

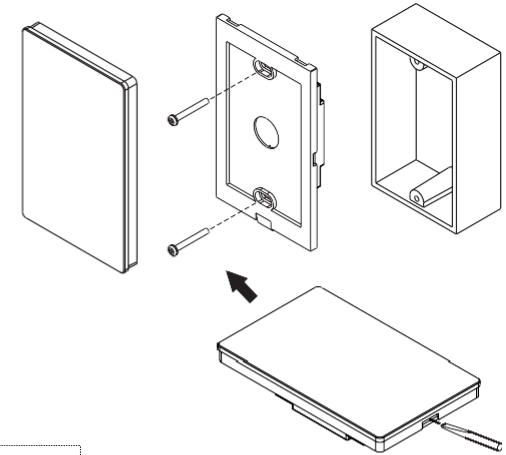


Product Data

Output Signal	DMX512+WiFi signal
Power Supply	12-24VDC
Power consumption	< 20 mA
Operating temperature	0-40°C
Relative humidity	8% to 80%
Dimensions	75x120x29.1mm

- Touch sensitive
- Glass interface(white & black)
- Standard DMX512 Signal output
- Can be controlled by WiFi controller
- Control RGBW color
- Control 3 zones synchronously and separately
- Waterproof grade: IP20

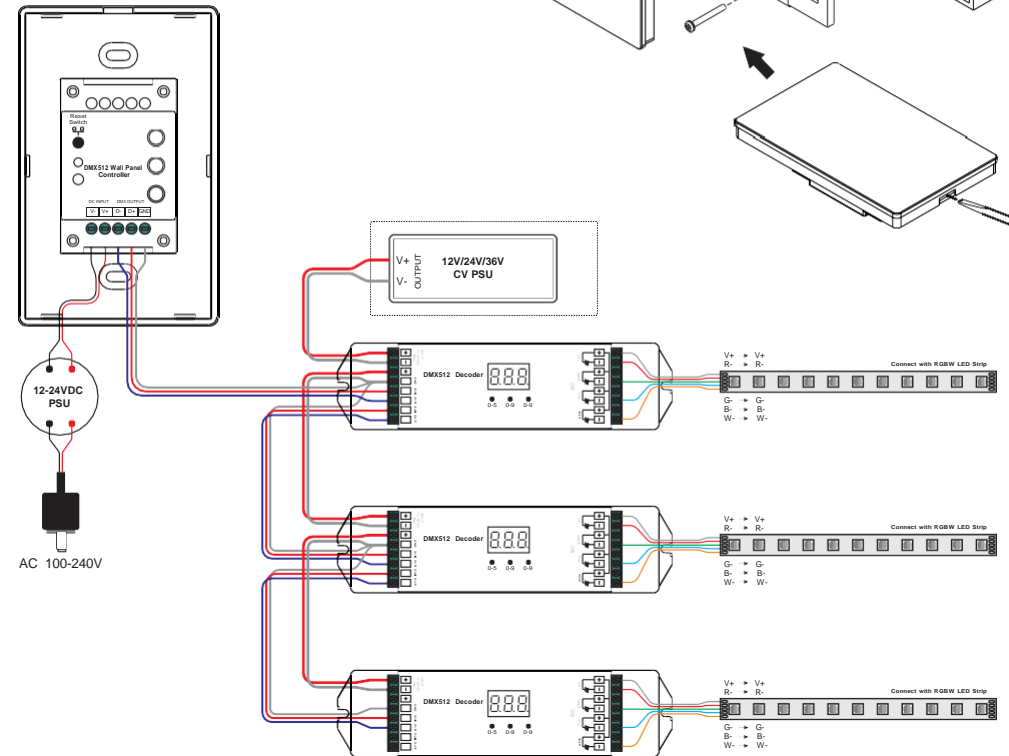
Installation



Safety & Warnings

- DO NOT install with power applied to device.
- DO NOT expose the device to moisture.

Wiring diagram



Set DMX Address

This DMX master controller controls 4 zones of DMX decoders by setting DMX decoders' address as follows:
 DMX decoders with address 001 will be controlled by zone 1,
 DMX decoders with address 005 will be controlled by zone 2,
 DMX decoders with address 009 will be controlled by zone 3.

WiFi Control via APP installed on IOS or Android system

This DMX master controller can be WiFi controlled via APP installed on IOS or Android system, please follow the instructions below:

- 1) Search and download "EasyLighting" APP from APP Store or Google Play on your mobile device.
- 2) Wire up the controller correctly according to wiring diagram and power on.
- 3) Search and connect your mobile device WLAN to the controller network "EasyLighting". Password is 0123456789.
- 4) Run "EasyLighting" APP on your mobile device. Please refer to the user manual of "EasyLighting" APP to learn how to pair and control.

WiFi Reset Button: Once configured to your home router, the controller can be controlled via your wireless home network by connecting the mobile device WLAN to your wireless home network. The "WiFi reset" button is used to factory reset the WiFi setting of the controller if you would like to directly control it again via "EasyLighting" network.

the app is 8 zone control, so you may set more zones for the WiFi control as below:

DMX decoder's address 001 is controlled by Zone 1

DMX decoder's address 005 is controlled by Zone 2

DMX decoder's address 009 is controlled by Zone 3

DMX decoders with address 013 will be controlled by zone 4,

DMX decoders with address 017 will be controlled by zone 5,

DMX decoders with address 021 will be controlled by zone 6,

DMX decoders with address 025 will be controlled by zone 7,

DMX decoders with address 029 will be controlled by zone 8.

Each zone can pair endless of DMX decoders if you set the address accordingly.