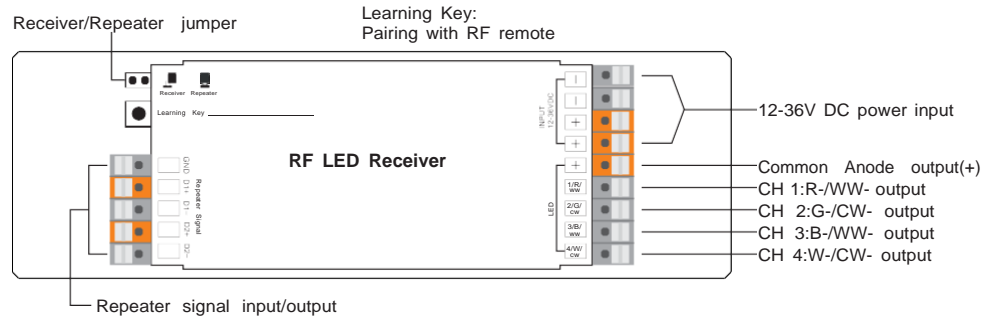


Universal series RF Receiver



Important: Read All Instructions Prior to Installation

Function introduction



Product Data

| No. | Input Voltage | Output Current | Output Power | Remarks | Size(LxWxH) |
|-----|---------------|----------------|---------------|------------------|---------------|
| 1 | 12-36VDC | 4x5A | 4x(60-180)W | Constant voltage | 170x53.4x28mm |
| 2 | 12-36VDC | 4x350mA | 4x(4.2-12.6)W | Constant current | 170x53.4x28mm |
| 3 | 12-36VDC | 4x700mA | 4x(8.4-25.2)W | Constant current | 170x53.4x28mm |

- Radio Frequency : 869.5/916.5/434mhz
- Waterproof grade: IP20

Safety & Warnings

- DO NOT install with power applied to device.
- DO NOT expose the device to moisture.

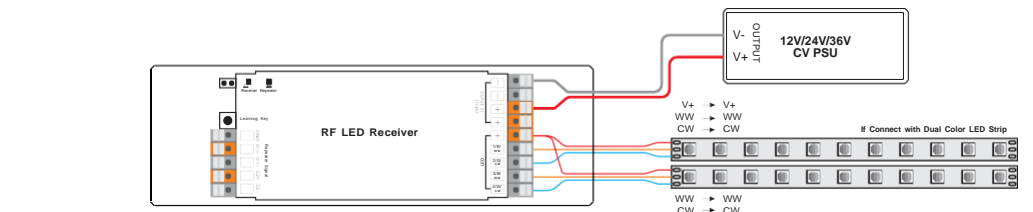
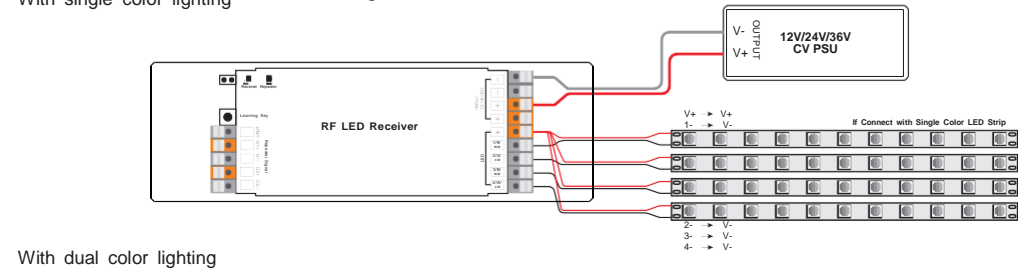
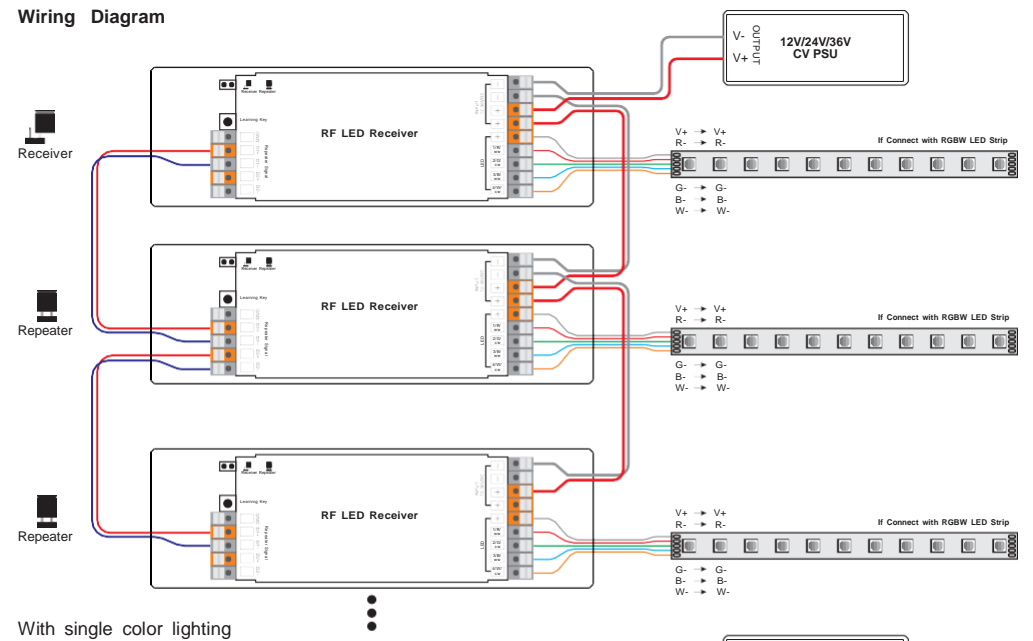
Pair/delete the pairing with RF remote

1. Do wiring according to connection diagram.
2. Pair RF Receiver with RF remote: please refer to the instruction of the remote that you would like to pair with.
3. Delete the pairing:
 - (1) Wire up the RF receiver correctly, power on.
 - (2) Press and hold down the " **Learning Key**" button on receiver for over 3 seconds until the connected light flashes, which means well deleted.

Receiver/Repeater setting jumper:

One receiver can connect multiple repeaters to realize perfect sync the sync distance can be over 100m no volt drop.

Wiring Diagram



Product Dimension

